

TELESCOPIC TRUCK MOUNTED PLATFORMS

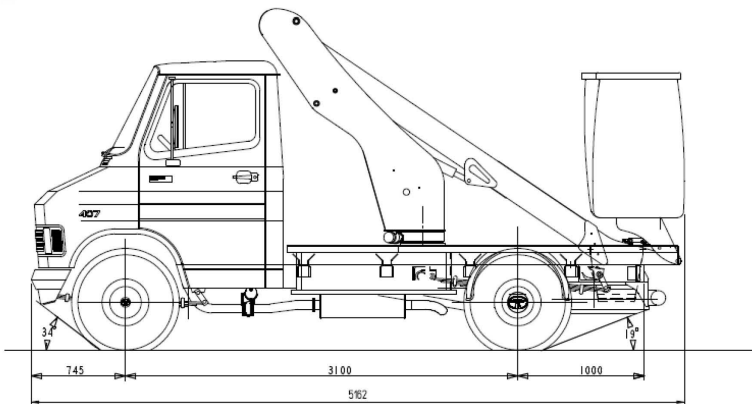
SPECIFICATION TOPY 11.2



TECHNICAL DATA

- Telescopic boom
- Proportional, single electrohydraulic controls in basket
- Turret rotation 400°
- Fibre glass basket, standard insulation upto 1000 V
- 40° up + 40° down hydraulic basket positioning
- No hydraulic outriggers require
- Buzzer indicating PTO engaged
- Hour meter
- Fixed sidewalls on chassis
- EN 280:2013 CE certified
- Standard boom colour white (RAL 9003)
- European Homologation certificate

DIMENSION

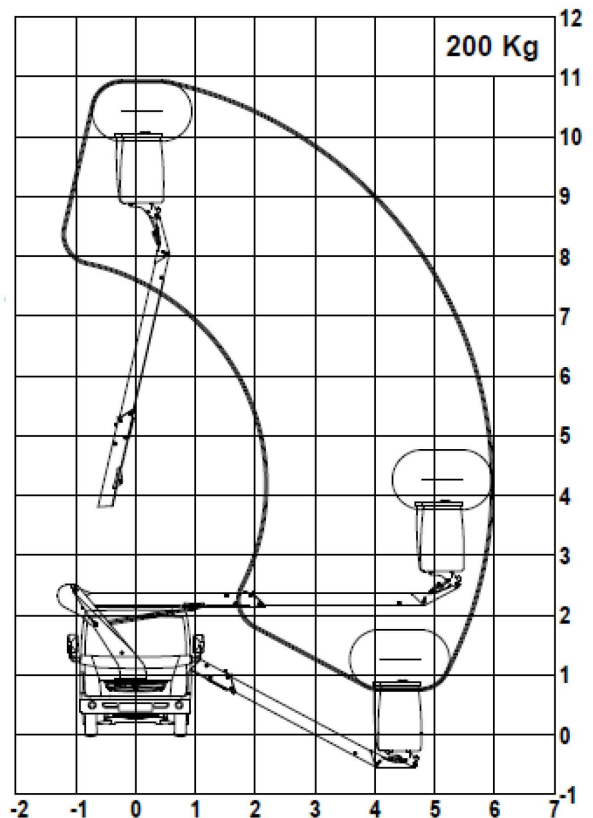


*Mounted on Tata 407 or equivalent chassis

TECHNICAL SPECIFICATIONS

Working height	11 m
Platform height	9 m
Working outreach	5 m
Capacity	200 kg
Basket dim.	853x725x1150 mm
GVW minimum	3.5 t

WORKING AREA



*Single working envelope

SHAKTI EQUIPMENTS PVT. LTD.

OPP. SHREE KRISHNA PARADISE HOTEL, NEAR VITAWA OCTROI NAKA, THANE BELAPUR ROAD, VITAWA, THANE (WEST) - 400605

Tel : +91 88 281 06 710 / 96 193 30 034 | shaktiepl@gmail.com | CIN : U 29 150 MH 2006 PTC 160723